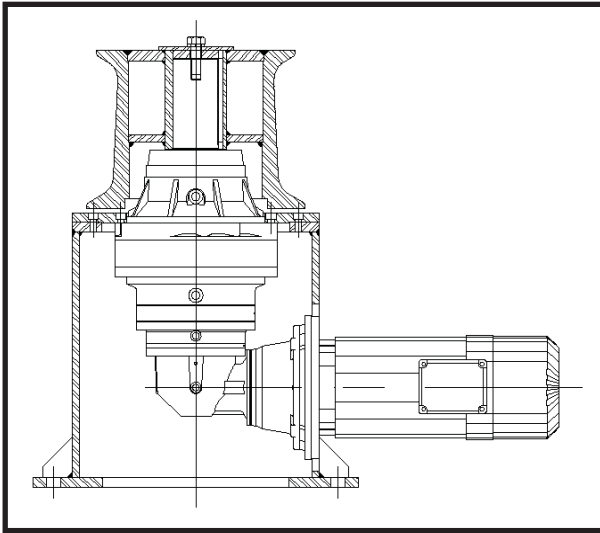


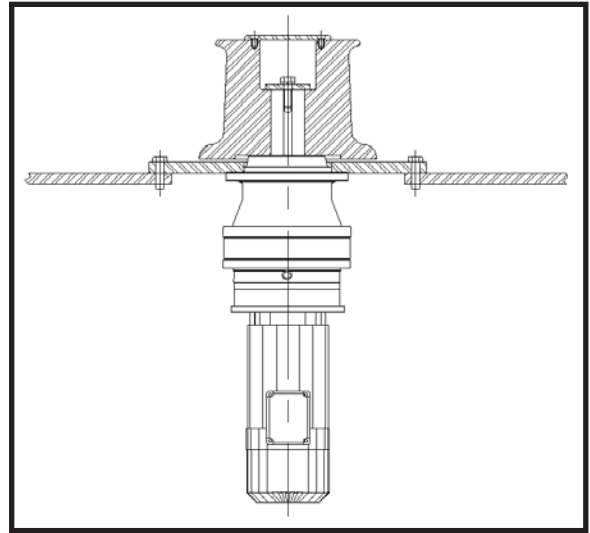
Custom Vertical Capstans

Description:

Wintech's custom vertical capstans provide a continuous running linepull from 10,000 lbs to 30,000 lbs and a linespeed from 10 fpm to 100 fpm to suit your application. The stall and holding linepull is 200% of continuous running linepull. The custom vertical capstans are designed specifically to suit your application.



Pedestal Capstan



Thru-Deck Capstan

Standard Features:

- Rugged construction suitable for both industrial and marine applications
- Pedestal or through deck mounting
- Totally enclosed fan cooled motor suitable for outdoor applications
- Spring applied - electric released holding brake
- Direct drive planetary drive

Options Available:

- NEMA 4 controls with foot switch
- Motor and brake heaters for cold environments
- Hydraulic powered drives



Pedestal Capstan

