

Horizontal Deflector Fairleads

Description:

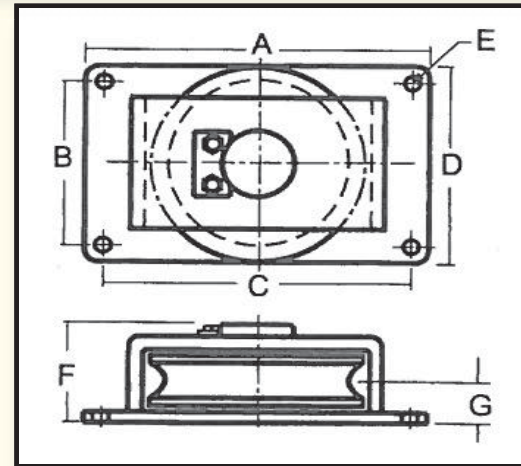
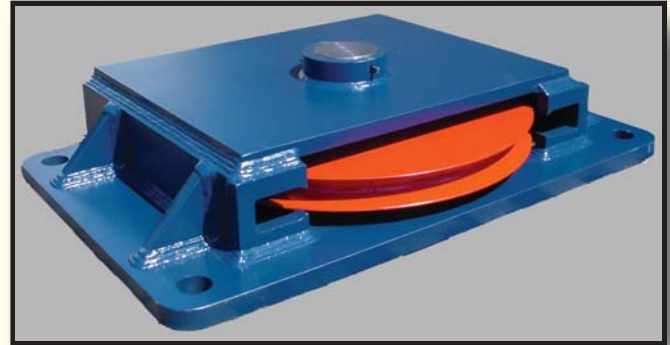
Wintech horizontal deflector sheave fairleads are designed to assist in directing wire rope from the winch to the load. Standard fairleads have heavy duty construction and are designed for long life in severe duty applications. *Custom configurations are available to suit unique rigging challenges.*

Standard Features:

- Cast or steel sheave with precision machined groove
- Deep groove sealed ball bearings
- Alloy steel shaft
- Heavy duty fabricated steel frame
- Bolt down or weld down base

Options Available:

- Greasable bronze bearings
- Stainless steel shaft and hardware
- Nylatron synthetic sheave
- Customized sheave configurations



Model Number	Sheave Diameter	Wire Rope Size	Safe Working Load (lbs)	Dimensions (inches)						
				A	B	C	D	E	F	G
SH-1	6"	1/2"	4,000	9.5	5.0	8.5	6	0.44	2.75	1.13
SH-2	8"	5/8"	8,000	12	6.75	10.75	8	0.56	3.25	1.38
SH-3	10"	3/4"	12,000	14.5	8.5	13	10	0.69	3.75	1.75
SH-4	14"	7/8"	20,000	19	11.5	17	13.5	0.81	4.5	2.25
SH-5	16"	1"	32,000	25	14	22	17	0.875	6	3
SH-6	20"	1 1/8"	40,000	30	17	27	20.5	1	7	3.5
SH-7	24"	1 1/4"	50,000	36	20	32	24	1.125	7.75	4

Due to our policy of continuing development, all specifications are subject to change without notice. Users of these products are responsible for ensuring their suitability for the application in which they are being used.

