

Manual Low-Profile Barge Winch

Standard Features:

- Models ranging from 20 to 90 ton holding capacity
- Additional tightening power from ratchet lever bar
- Quick release holding dog, automatically disengages when not in use
- Spinner knob on hand wheel for fast slack line take-up
- Steel gear guard provides operator protection; prevents slack cable from fouling gears
- Foot brakes allow controlled freespooling and prevent overspin to reduce the risk of birdnesting of wire

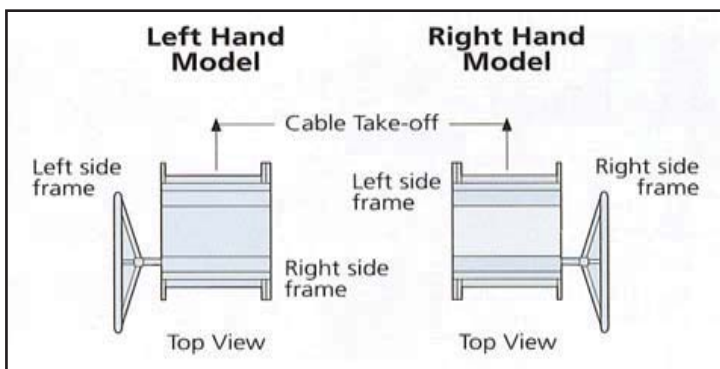
Options Available:

- Wider drums, angle deck brackets, slip clutch
- Winch cable installation



Model No.	Rated Capacities (US Tons) 1st Layer			Gear Ratio	Drum Diameter (in.)	Shipping Weight (lbs)	Cubic Feet
	Dog Holding	Tightening					
		Hand	Ratchet				
20HL	20	3	5	7:1	8 5/8	600	18
25HL	40	5	10	14:1	10 3/4	650	22
50HL	65	7.5	15	20:1	12 3/4	1175	34
75HL	90	10	20	31:1	16	1880	37

Note: All models are shown with "L" designating left hand models. For right hand models substitute "R" for "L" in the Model Number.



How to Determine Right or Left Hand Configuration:

Right or left hand models are determined by which side of the winch the handwheel is mounted on. As shown in the illustration, standing behind the winch, facing the cable take-off direction is the proper orientation for determining right or left hand requirements.

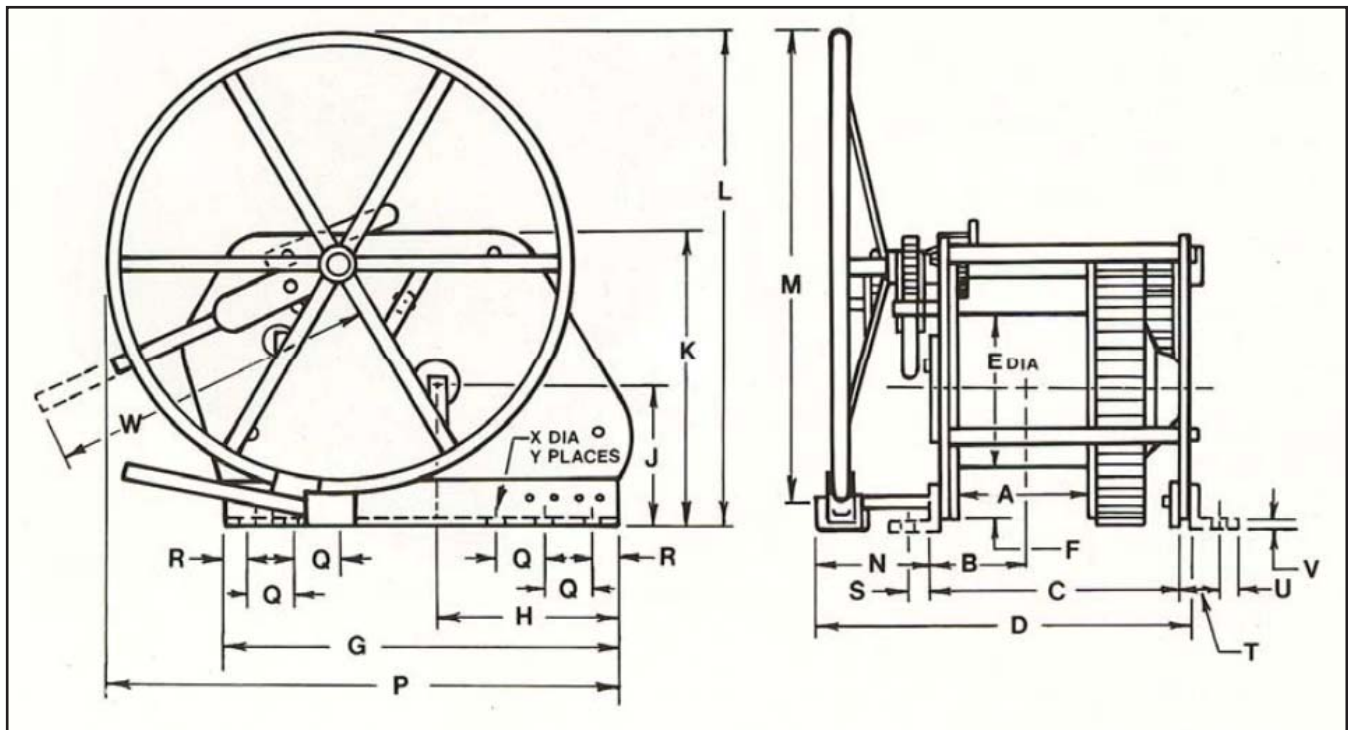


Drum Lengths and Cable Capacities

Drum Length Options		
Capacity (US Tons)	Standard Drums (in.)	Wider Drums (in.)
20	10*	17, 24, 36, 48
40	9*	17, 35, 51, 69
65	11*	20, 41, 61, 82
90	10*	20, 40, 61, 81

20HL - 8 5/8" Drum Diameter				25HL - 10 3/4" Drum Diameter				50HL - 12 3/4" Drum Diameter				75HL - 16" Drum Diameter						
Length (in.)	Drum Capacity (ft)			Length (in.)	Drum Capacity (ft)			Length (in.)	Drum Capacity (ft)			Length (in.)	Drum Capacity (ft)					
	5/8"	3/4"	7/8"		5/8"	3/4"	7/8"		1"	7/8"	1"		1 1/8"	1 1/4"	1 1/8"	1 1/4"	1 3/8"	1 1/2"
10*	380	275	194	9*	248	162	142	88	11*	194	174	110	100	10*	119	108	98	56
17	650	470	330	17	479	314	277	174	20	377	338	216	197	20	247	225	207	119
24	915	650	460	35	975	643	586	359	41	773	694	445	408	40	523	478	441	254
36	1370	975	690	51	1472	971	865	544	61	1168	1051	674	619	61	798	731	675	390
48	1830	1300	920	69	1969	1299	1151	729	82	1564	1407	903	830	81	1074	983	909	525

* Standard drum lengths are rounded to the nearest inch.



Manual Low-Profile Barge Winch Dimensions

Model No.	Dimensions (in.)																						
	A	B	C	D	E	F	G	H	J	K	L	M	N	P	Q	R	S	T	U	V	W	X	Y
20HL	10	6 1/2	15 7/8	25 7/8	8 5/8	6	23	11 1/2	11 3/4	24	35	32	9 3/8	38	4	3/4	1	1	1	3/8	53 1/2	13/16	8
25HL	9	7 3/8	17 7/8	27 7/8	10 3/4	3 5/8	28	12 1/4	21	21	34 1/2	32	9 3/8	37 1/2	4	3	1	2 1/8	1	1/2	53 1/2	13/16	10
50HL	11	8	20 7/8	30 7/8	12 3/4	4 3/8	33	15	12	25	42 1/2	40	9 1/8	43	4	2	1 3/8	3	1 7/8	3/4	59 1/2	1 1/8	12
75HL	10	8 1/8	21 1/4	31 1/4	16	4 1/2	41	16 1/2	14	29	50 1/2	48	9	50 1/2	4	2	1 1/2	3 1/2	1 1/2	1	65 1/2	1 1/8	16

Due to our policy of continuing development, all specifications are subject to change without notice. Users of these products are responsible for ensuring their suitability for the application in which they are being used.



Wintech International, LLC

5319 Shreveport-Blanchard Hwy.

Shreveport, LA 71107

P: 318.929.1242 • F: 318.929.1245

www.wintech-winch.com