

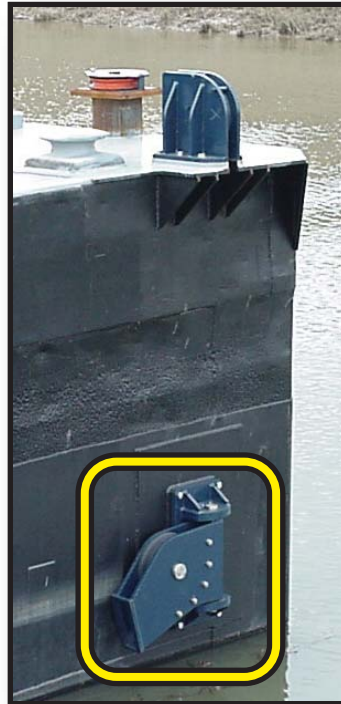
# Swivel Directional Flag Block

### Description:

Wintech swivel directional flag blocks are designed for floor or wall mounting. The fairlead pivots +/- 80 degrees from vertical, allowing varying wire rope angles to the load. *Blocks can be customized to suit your application.*

### Standard Features:

- Cast or steel sheave with precision machined groove
- Deep groove sealed ball bearings
- Alloy steel sheave shaft
- Fabricated steel upper frame with machined pivot trunnion
- Bolt down base brackets with bronze bushings
- Bolt down or weld down base

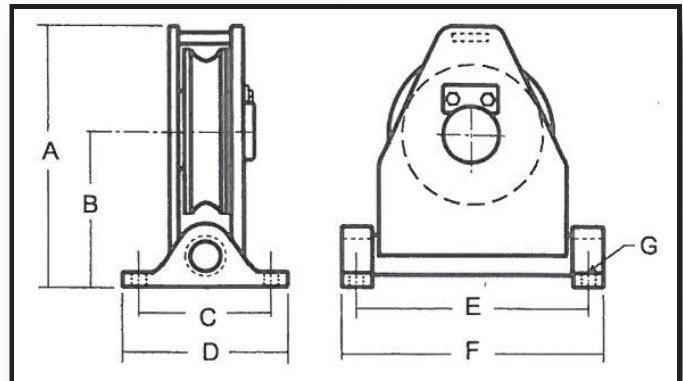


Custom Configuration



### Options Available:

- Greasable bronze sheave bearings
- Stainless steel shaft and hardware
- Nylatron synthetic sheave
- Cable entry fairlead rollers
- Customized configurations



Model Number	Sheave Diameter	Wire Rope Size	Safe Working Load (lbs)	Dimensions (inches)						
				A	B	C	D	E	F	G
SS-1	6"	1/2"	4,000	8.63	5.1	5	6	5.25	7.81	0.56
SS-2	8"	5/8"	8,000	10.88	6.63	6.5	7.75	9.88	11.38	0.69
SS-3	10"	3/4"	12,000	13.5	8.25	8	9.5	12.50	14.5	0.81
SS-4	14"	7/8"	20,000	18	10.5	10	12	17.50	19.5	0.94

*Due to our policy of continuing development, all specifications are subject to change without notice. Users of these products are responsible for ensuring their suitability for the application in which they are being used.*