

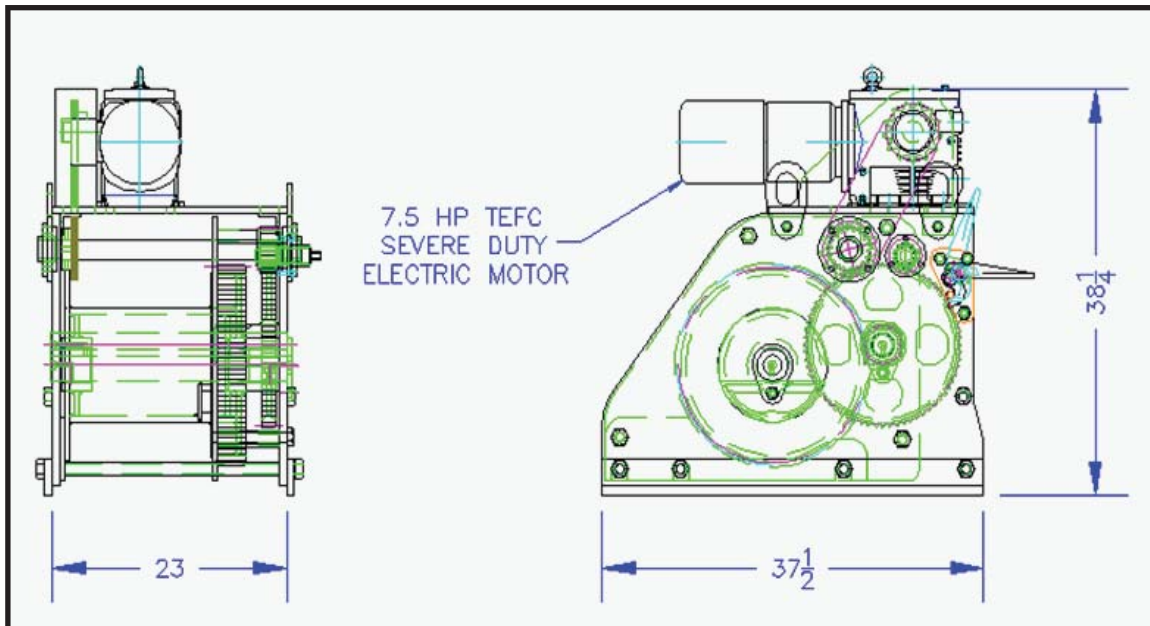
## DC40 - E7.5 Electric Deck Winch

### Standard Features:

- 40 Ton Holding Capacity / 10400 lbs Line Pull at 20 fpm
- 7.5 HP Severe Duty TEFC Electric with Holding Brake
- Helical Worm Gear Reducer with Final Spur Gear Reduction
- Drum accepts standard wedges for cable attachment
- Guard covers all gears and chains
- Manual drive option powered by 3/4" socket

Drum Capacity			
5/8"	3/4"	7/8"	1"
220 ft	190 ft	165 ft	150 ft

*Other Drum Lengths / Cable Capacities are Available Upon Request*



*Due to our policy of continuing development, all specifications are subject to change without notice. Users of these products are responsible for ensuring their suitability for the application in which they are being used.*

Made in the USA