

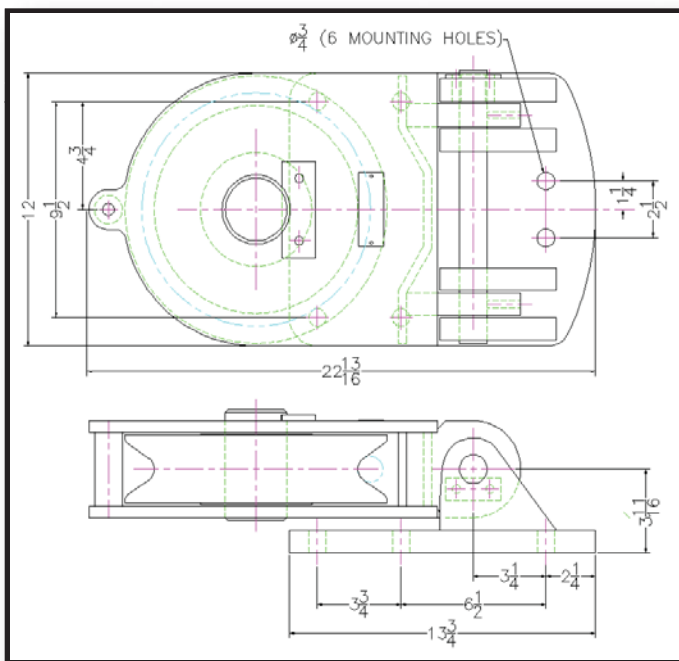
Self Aligning Roller Chocks

Description:

Wintech self aligning roller chocks are designed to accommodate various wire rope angles to the load. They are ideal for face and wing rigging on barges as the sheave pivots up and down to accommodate both empty and loaded barges. The self-fleeting design results in reduced wear on both wire rope and sheaves.

Standard Features:

- Nylatron synthetic sheave accommodates both wire and synthetic ropes
- Stainless steel pins and hardware
- Self-fleeting design
- Easy sheave replacement eliminating the need for the vessel to be gas freed for welding work



12" Sheave Dimensions

Model	Sheave Diameter	Capacity (Tons)
RC8-20	8"	20
RC10-40	10"	40
RC12-65	12"	65

Custom sizes available upon request



Made in the USA