

WA45 Air Powered Winch

Standard Features:

- Automatic disc-type holding brake
- Manual band-type holding brake
- Cable-friendly drum to cable diameter ratio (18:1)
- Integral directional control valve design for harsh environments
- Designed for reliable day to day operation
- Heavy-duty steel fabricated drum and frame components
- Sandblasted and coated with Wintech Blue marine duty paint
- Line pull - 4,500 lbs at full drum**
- Speed - 55 fpm**

** Performance is based on air supply of 340CFM @ 100PSI

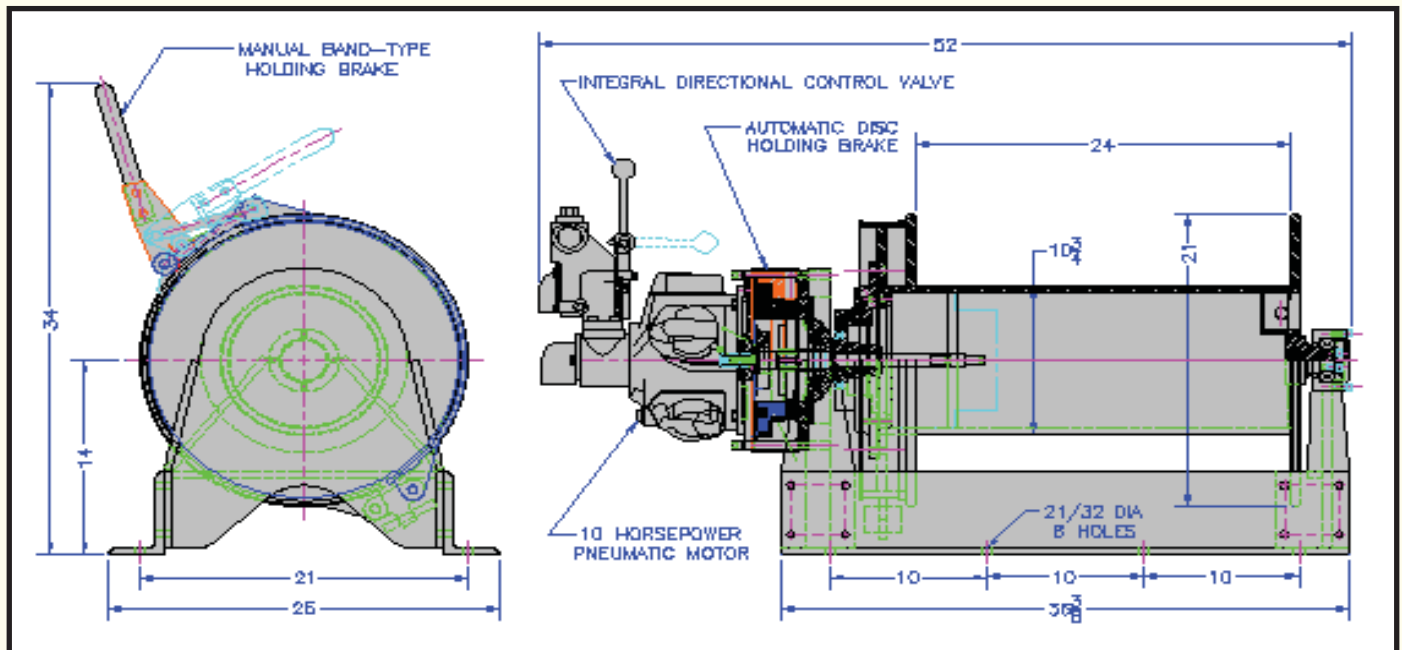
Options Available:

- Automatic band brakes
- Grooved, divided and extended length drums
- Air preparation packages: filter, lubricator, strainer, and regulator
- Drum guards
- Remote pendant control
- Muffler
- Special paint options: special colors, zinc rich primer, epoxy top coats
- Hydraulic models are also available



Cable Capacity (24" Long Drum)	
1/2"	5/8"
1,010 ft	520 ft

Additional drum lengths / cable capacities are available upon request.



Due to our policy of continuing development, all specifications are subject to change without notice. Users of these products are responsible for ensuring their suitability for the application in which they are being used.

